



Series T514

TECNO-NAMUR are 5/2 and 4/2 valves are solenoid valves pneumatically or electrically actuated. They are used in industrial automation applications or whenever a **NAMUR** mounting plane is available. Is available in 5/2, 4/2 and all-purposes versions. The final user can switch from one version to another by simply changing interface plate and adding/removing a plug.

TECNO-NAMUR valves are produced using the most up to date technical features, granting flexible design and elevated characteristics over standard products. Superior performance is further enhanced by the use of innovative materials of construction.

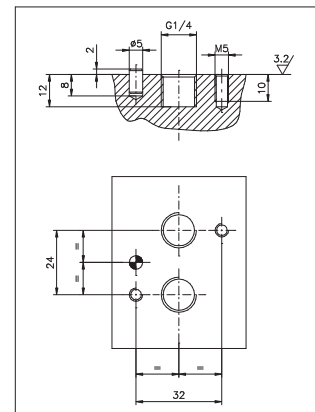
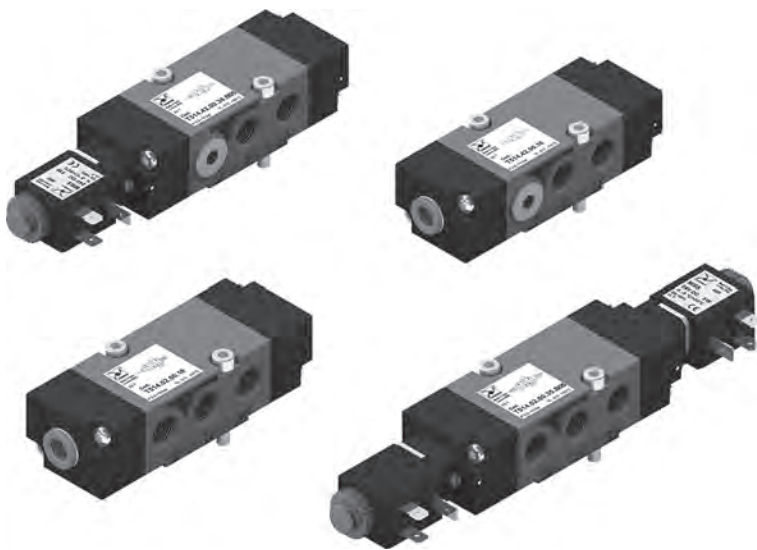
Construction characteristics

Body	Technopolymer
Spacers	Technopolymer
Seals	Nitrile rubber
Springs	Stainless Steel
Operators	Technopolymer
Spools	Nickel plated steel
Screws	Zinc plated steel

Note:

"Although accurately described, the 4/2 valve actually functions as a 3/2 normally closed valve and should be used as such."

“NAMUR” interface dimensions:
according to standard (VDI/VDE 3847 July 2003)





Pneumatic - Differential

Coding: T514.00.16

Operational characteristics	
Fluid	Filtered air. No lubrication needed, if applied it shall be continuous
Max. working pressure (bar)	10
Temperature °C	-10 ... +50
Flow rate at 6 bar with $\Delta p=1$ (NI/min)	1100
Orifice size (mm)	8
Working ports size	G 1/4"

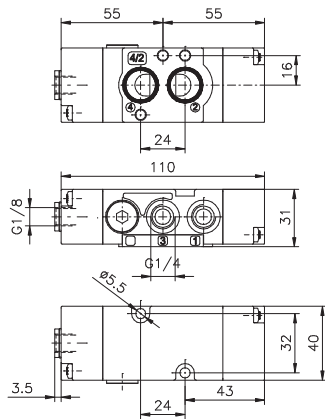
TYPE	
T	42 = 4 ways, 2 positions 52 = 5 ways, 2 positions

AIR DISTRIBUTION

1

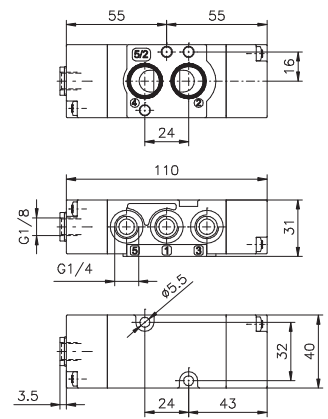
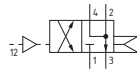
4/2 ways

5/2 ways



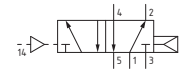
Weight 140 g
Minimum working pressure 2,5 bar
Maximum fitting torque 9 N/m

T514.42.00.16



Weight 140 g
Minimum working pressure 2,5 bar
Maximum fitting torque 9 N/m

T514.52.00.16



Pneumatic-Pneumatic

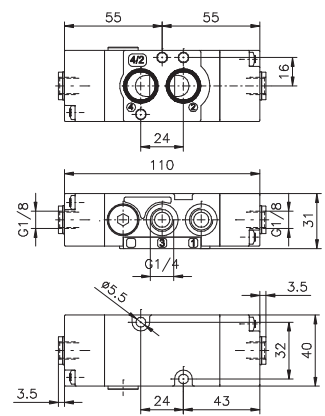
Coding: T514.00.18

Operational characteristics	
Fluid	Filtered air. No lubrication needed, if applied it shall be continuous
Max. working pressure (bar)	10
Temperature °C	-10 ... +50
Flow rate at 6 bar with $\Delta p=1$ (NI/min)	1100
Orifice size (mm)	8
Working ports size	G 1/4"

TYPE	
T	42 = 4 ways, 2 positions 52 = 5 ways, 2 positions

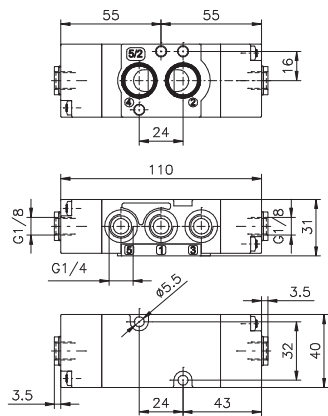
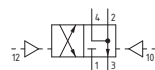
4/2 ways

5/2 ways



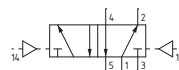
Weight 140 g
Minimum working pressure 2,5 bar
Maximum fitting torque 9 N/m

T514.42.00.18



Weight 140 g
Minimum working pressure 2,5 bar
Maximum fitting torque 9 N/m

T514.52.00.18



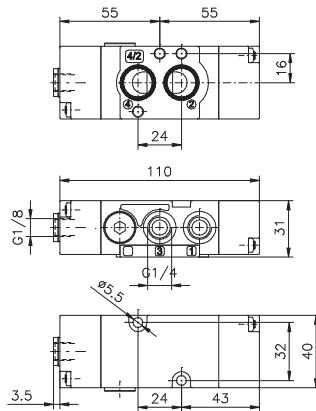
Pneumatic - Spring

Coding: T514.1.00.19

Operational characteristics	
Fluid	Filtered air. No lubrication needed, if applied it shall be continuous
Max. working pressure (bar)	10
Temperature °C	-10 ... +50
Flow rate at 6 bar with Δp=1 (NI/min)	1100
Orifice size (mm)	8
Working ports size	G 1/4"

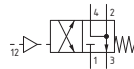
TYPE	
1	42 = 4 ways, 2 positions
	52 = 5 ways, 2 positions

4/2 ways

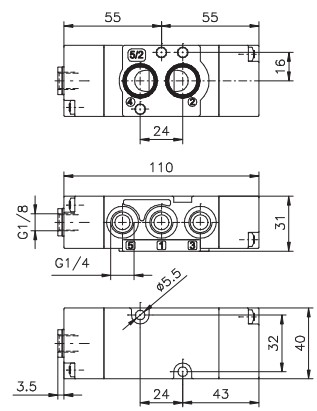


Weight 140 g
Minimum working pressure 2,5 bar
Maximum fitting torque 9 N/m

T514.42.00.19

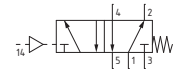


5/2 ways



Weight 140 g
Minimum working pressure 2,5 bar
Maximum fitting torque 9 N/m

T514.52.00.19



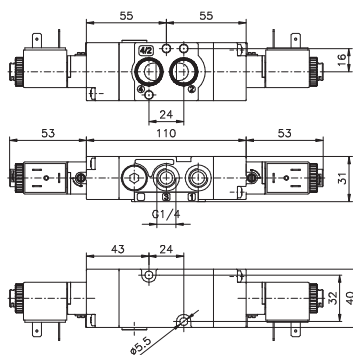
Solenoid-Solenoid

Coding: T514.1.00.35.V

Operational characteristics	
Fluid	Filtered air. No lubrication needed, if applied it shall be continuous
Max. working pressure (bar)	10
Temperature °C	-10 ... +50
Flow rate at 6 bar with Δp=1 (NI/min)	1100
Orifice size (mm)	8
Working ports size	G 1/4"

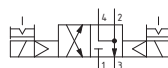
TYPE	
1	42 = 4 ways, 2 positions
	52 = 5 ways, 2 positions
VOLTAGE	
	B04 = 12 VDC
	B05 = 24 VDC
V	B09 = 24 VDC (2W)
	B56 = 24V (50-60 Hz)
	B57 = 110V (50-60 Hz)
	B58 = 230 V (50-60 Hz)

4/2 ways

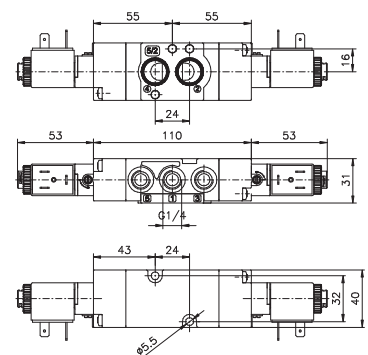


Weight 250 g
Minimum working pressure 2,5 bar
Maximum fitting torque 9 N/m

T514.42.00.35.V

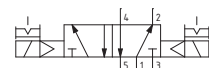


5/2 ways



Weight 250 g
Minimum working pressure 2,5 bar
Maximum fitting torque 9 N/m

T514.52.00.35.V



Solenoid-Differential

Coding: T514.00.36.✓

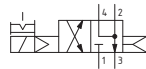
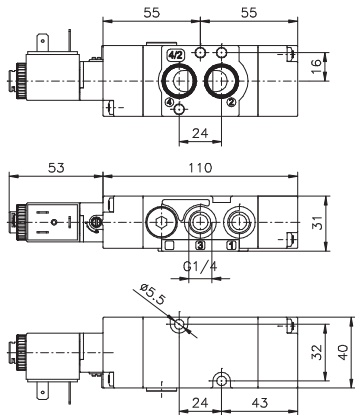
Operational characteristics	
Fluid	Filtered air. No lubrication needed, if applied it shall be continuous
Max. working pressure (bar)	10
Temperature °C	-10 ... +50
Flow rate at 6 bar with $\Delta p=1$ (NI/min)	1100
Orifice size (mm)	8
Working ports size	G 1/4"

TYPE	① 42 = 4 ways, 2 positions 52 = 5 ways, 2 positions
VOLTAGE	B04 = 12 VDC B05 = 24 VDC ② B09 = 24 VDC (2W) B56 = 24V (50-60 Hz) B57 = 110V (50-60 Hz) B58 = 230 V (50-60 Hz)

1 AIR DISTRIBUTION

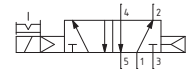
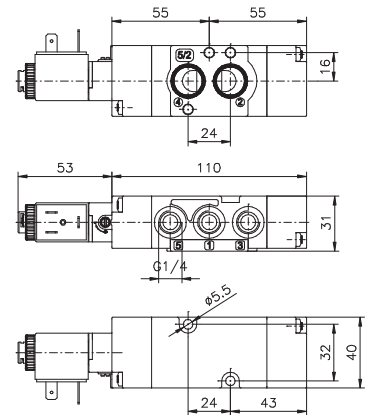
4/2 ways

5/2 ways



Weight 200 g
Minimum working pressure 2,5 bar
Maximum fitting torque 9 N/m

T514.42.00.36.✓



Weight 200 g
Minimum working pressure 2,5 bar
Maximum fitting torque 9 N/m

T514.52.00.36.✓

Solenoid-Spring

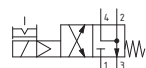
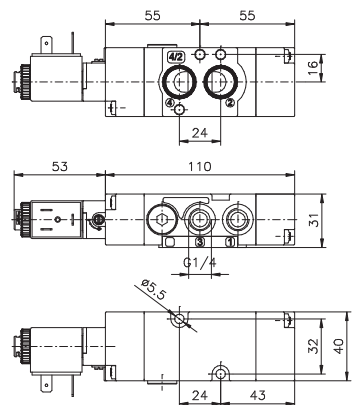
Coding: T514.00.39.✓

Operational characteristics	
Fluid	Filtered air. No lubrication needed, if applied it shall be continuous
Max. working pressure (bar)	10
Temperature °C	-10 ... +50
Flow rate at 6 bar with $\Delta p=1$ (NI/min)	1100
Orifice size (mm)	8
Working ports size	G 1/4"

TYPE	① 42 = 4 ways, 2 positions 52 = 5 ways, 2 positions
VOLTAGE	B04 = 12 VDC B05 = 24 VDC ② B09 = 24 VDC (2W) B56 = 24V (50-60 Hz) B57 = 110V (50-60 Hz) B58 = 230 V (50-60 Hz)

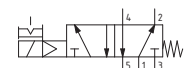
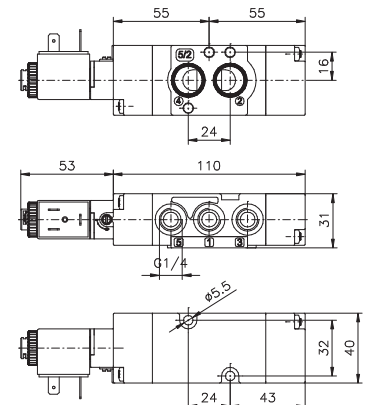
4/2 ways

5/2 ways



Weight 200 g
Minimum working pressure 2,5 bar
Maximum fitting torque 9 N/m

T514.42.00.39.✓



Weight 200 g
Minimum working pressure 2,5 bar
Maximum fitting torque 9 N/m

T514.52.00.39.✓

► **Universal kit**

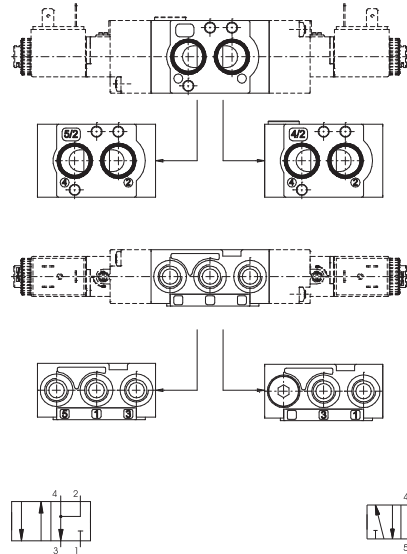
Coding: T514.92.00.V.T

Operational characteristics	
Fluid	Filtered air. No lubrication needed, if applied it shall be continuous
Max. working pressure (bar)	10
Temperature °C	-10 ... +50
Flow rate at 6 bar with $\Delta p=1$ (NI/min)	1100
Orifice size (mm)	8
Working ports size	G 1/4"

VERSION	VOLTAGE
16 = Pneumatic-Differential	B04 = 12 VDC
18 = Pneumatic - Pneumatic	B05 = 24 VDC
19 = Pneumatic - Spring	B09 = 24 VDC (2W)
35 = Solenoid - Solenoid	B56 = 24V (50-60 Hz)
36 = Solenoid - Differential	B57 = 110V (50-60 Hz)
39 = Solenoid - Spring	B58 = 230 V (50-60 Hz)



Weight 170 g
Minimum working pressure 2,5 bar
Maximum fitting torque 9 N/m



1
AIR DISTRIBUTION